



customcodecrafters

Meridian 568

GENERAL INFORMATION

SIMPLWINDOWS FILE NAME:	C3 Meridian 568 processor V1.00.umc
CATEGORY:	Receiver / Processor
CURRENT VERSION:	1.00
PROGRAMMER:	GO
SUMMARY:	Full control of main zone & dsp with full feedback
SYSTEMBUILDER COMPATIBLE	Yes

GENERAL NOTES:

This module will control all functions on a Meridian 568 processor. It has been designed in such a way as to extract as much feedback information as it can from the processor.

Functions that can be controlled from this module include:

- Source selection by way of analog input
- Volume & mute control
- dsp functions by way of analog input
- OSD, setup & menu functions

All C3 modules use analogs for source selection.

This module uses the following values to set the sources and dsp functions:

Sources:

Source	Value	Notes
CD	1d	
Tuner	2d	
CDR	3d	
DVD	4d	
Cable	5d	
TV	6d	
Laser disc	7d	
VCR1	8d	
VCR2	9d	
Tape 1	10d	
Tape 2	11d	
Disc	12d	
Off	65535d	Default 'power off value' parameter

Assigning a valid value to the source input will switch on the 568 automatically. Once powered up the volume will preset to the volume as set by the 'default volume' parameter. The unit can be forced off by setting the source value = 'power off value' parameter. The default is 65535d.

Using analog source values enables all C3 audio/video modules to be dropped into existing programs where a PAD8 or BiPad may be used. This allows for greater programming flexibility.

The dsp functions will be covered on the next page



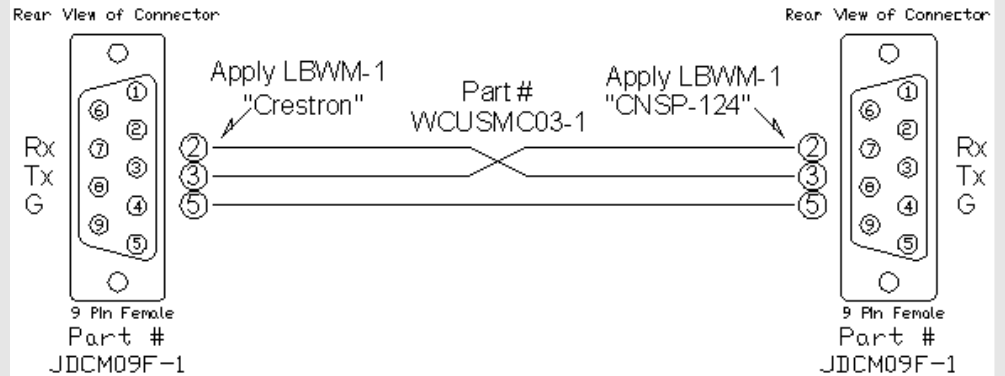
customcodecrafters

DSP:	
Name	Value
Direct	1d
Music	2d
Trifield	3d
Ambisonics	4d
Super	5d
Stereo	6d
MusicLogic	7d
ProLogic	8d
THX	9d
Mono	10d
Discrete	11d
TV Logic	12d
Digital	13d
Digital THX	14d
DTS	15d
DTS THX	16d
DTS Music	17d
MPEG	18d
MPEG THX	19d
MPEG Music	20d
MLP	21d
User preset 1	22d
User preset 2	23d
User preset 3	24d
User preset 4	25d
User preset 5	26d
User preset 6	27d
User preset 7	28d
User preset 8	29d
User preset 9	30d
User preset 10	31d

COMMS SETUP:

(Default) 9600, 8, 1, N. Handshaking: None. RTS/CTS are not used.

CABLE DIAGRAM:



INPUT DEFINITIONS

[rx\$]	S	Data from device
[standby]	D	Switch off the device
[main.vol+]	D	Increase volume
[main.vol-]	D	Decrease volume
[mute.toggle]	D	Toggle volume mute on / off
[mute.on]	D	Mute volume
[mute.off]	D	Un-mute volume
[main.source]	A	Assign source & turn on power. Range 1-12d
[main.dsp]	A	Assign dsp function. Range 1-31d
[setup]	D	Operate the unit setup menu

C3 Custom Code Crafters (Europe) Ltd.
 One, The Market Place, Station Road, Thorpe-Le-Soken, Essex, CO16 0HQ.

Telephone: +44 (0) 1255 862850 Fax: +44 (0) 1255 863909 Internet: <http://www.C3-eu.com>



customcodecrafters

[osd]	D	Toggle the OSD on / off
[navigation keys]	D	Use navigation keys when a menu is on-screen
[enter]	D	Used when in menu's or osd functions
[return]	D	Used when in menu's or osd functions
[mono]	D	Toggle the main zone mono mode on / off
[band]	D	Toggle am / fm functions

OUTPUT DEFINITIONS

tx\$	S	Commands to device
[power.on.fb]	D	Indicates power on
[power.off.fb]	D	Unit is in standby
[mute.on.fb]	D	Indicates that the main zone is muted
[mute.off.fb]	D	Indicates that the main zone is un-muted
[volume.fb]	A	Main zone volume level. Use to drive a gauge. Range 1-99d
[volume.bar.fb]	A	Main zone volume level. Use to drive a bar graph. Range 0-65535d
[volume.sp]	D	This output will be driven high as the volume level changes. It will remain high for a value determined by the 'volume subpage hold time' parameter after the volume has stabilised. Use this output to drive a subpage showing volume level
[source.fb]	A	Indicates the current selected main zone source
[source.fb\$]	S	Name of the current main zone source
[dsp.fb]	A	Indicates the current selected main zone dsp function
[dsp.name.fb\$]	S	Name of the current main zone dsp function
[setup.fb]	D	Pass through of input to output when power is on
[navigation keys.fb]	D	Pass through of input to output when power is on
[enter.fb]	D	Pass through of input to output when power is on
[return.fb]	D	Pass through of input to output when power is on
[mono.fb]	D	Indicates unit is in mono mode
[band.fb]	D	Pass through of input to output when power is on. Indicates band type
[radio.sp]	D	This output will go high when a valid radio source is selected
[display.mimic.fb\$]	S	12 byte mimic of the 568 front panel. This duplicates the info shown on the front of the unit
[source.label.fb\$]	S	Indirect text outputs to touchpanel. Determined by 'source name' parameters

PARAMETERS

power off value	(d)	Set the value that will trigger the unit to switch off. Default 65535d
volume subpage hold time	(s)	Set the duration of the volume subpage. Default 3 secs

C3 Custom Code Crafters (Europe) Ltd.
One, The Market Place, Station Road, Thorpe-Le-Soken, Essex, CO16 0HQ.

Telephone: +44 (0) 1255 862850 Fax: +44 (0) 1255 863909 Internet: <http://www.C3-eu.com>



customcodecrafters

hold time	(s)	Hold time for volume functions
repeat time	(s)	Repeat time for volume functions
default volume	(d)	Volume to be set after power on
Source name n	(s)	Source names for indirect text

REVISION NOTES

1.00	GO	Initial release
COMMENTS:		

© 2009 Custom Code Crafters (Europe) Ltd.
This software & related Source Code is the intellectual property of Custom Code Crafters (Europe) Ltd.
Custom Code Crafters (Europe) Ltd grants authorized Dealers and Partners the non-exclusive right to use and/or compile and/or compress the Software and upload such modified and/or compiled and/or compressed Software files to control systems within the bounds of the Software agreement. No right is granted to otherwise copy, reproduce, modify, upload, download, transmit or distribute the Software & Source Code or derivative works in any way.
The Software and Source Code and derivative works are protected by copyright trade secret and other intellectual property laws and by international treaties which provide rights and obligations in addition to the rights and obligations set forth here.

Help file compiled by: GO
Help file checked by: GO
Created: 07/09/10
Modified: 04/08/11 (GO)
Released: 23/08/11