



customcodecrafters

C3 Yamaha YSP-4100 + YSP-5100 sound projector

GENERAL INFORMATION

SIMPLWINDOWS FILE NAME: C3 Yamaha YSP-4100 + YSP-5100 sound projector.umc

CATEGORY: Receiver / Processor

CURRENT VERSION: 1.00

PROGRAMMER: GO

SUMMARY: Provides source control, volume, mute & DSP functions

SYSTEMBUILDER COMPATIBLE: No

GENERAL NOTES:

The C3 Yamaha YSP-series module provides 2 way RS-232 control of this Yamaha product. The module provides the following functions:

- Power on/off
- Volume & mute
- Analog source selection & power control
- Analog decoder mode selection
- Analog DSP function selection
- Analog surround decoder selection
- Analog sleep timer control
- Dual mono mode control
- Music enhancer mode
- Uni volume on/off
- Bass extension control
- Beam mode control

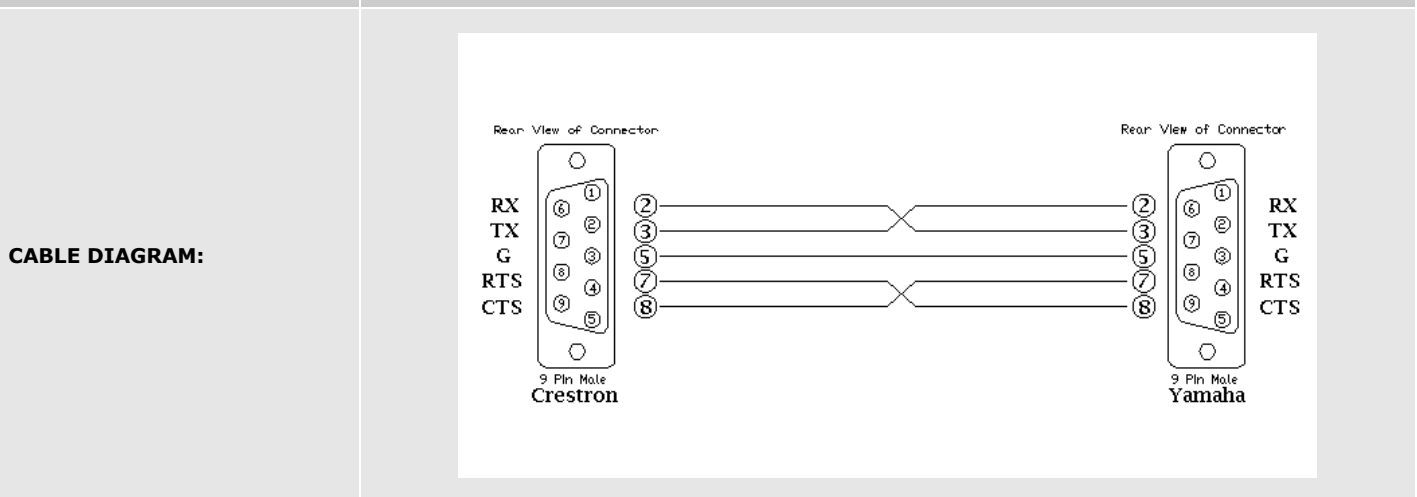
The module does not provide discrete volume control of the individual channels to reduce the module footprint. This can be provided for a small additional cost if required. A separate module will be available soon for Tuner control. This will be FOC if you purchase this module.

To control the Yamaha; the **ready** input must be pulsed to initiate communications. Once this has been established the outputs will be set according to the state of the Yamaha.

Power can be turned on either by asserting [**power.on**] or setting the [**source**] input in the range of 1-9d. The device can be powered off by asserting [**power.off**] or setting [**source**] input equal to the **power off value** parameter.

REQUIRED AUXILIARY FILES: none

COMMS SETUP: (Default) 9600, 8,1,N. Handshaking: Hardware - RTS/CTS must be set



C3 Custom Code Crafters (Europe) Ltd.
One, The Market Place, Station Road, Thorpe-Le-Soken, Essex, CO16 0HQ.

Telephone: +44 (0) 1255 862850 Fax: +44 (0) 1255 863909 Internet: <http://www.C3-eu.com>



customcodecrafters

INPUT DEFINITIONS		
rx\$	S	Data from device
ready	D	Initiate communications with the Sound bar
[power.on/off]	D	Turns the unit on/off
[vol+/-]	D	Raise/Lower volume in 1 step increments
[mute.toggle]	D	Mute/un-mute toggle
[mute.on/off]	D	Mute/un-mute the volume
[source]	A	<p>Select the input source. If the device is off then it will turn on and the source will be selected after the power on delay has expired.</p> <p>Sources:</p> <ul style="list-style-type: none"> 1d: TV 2d: Aux 1 3d: Aux 2 4d: HDMI1 5d: HDMI2 6d: HDMI3 7d: HDMI4 8d: iPod 9d: Tuner <p>power of value: Turns the device off (default: 65535d)</p>
[decoder.mode]	A	<p>Select the decoder mode:</p> <ul style="list-style-type: none"> 1d: Auto 2d: DTC 3d: AAC
[dsp]	A	<p>Select DSP function:</p> <ul style="list-style-type: none"> 1d: Spectacle 2d: Sci-Fi 3d: Adventure 4d: Concert Hall 5d: Jazz Club 6d: Music Video 7d: Sports 8d: Talk Show 9d: Drama 10d: Game 11d: Multi-channels stereo 12d: Cinema DSP Movie 13d: Cinema DSP Music 14d: Cinema DSP off
[surr.decoder]	A	<p>Surround decoder mode:</p> <ul style="list-style-type: none"> 1d: Pro-Logic 2d: PLII Movie 3d: PLII Music 4d: PLII Game 5d: Neo:6 Cinema 6d: Neo:6 Music
[sleep.timer]	A	<p>Set sleep timer (minutes):</p> <ul style="list-style-type: none"> 0d: Off 1d: 120 2d: 90 3d: 60 4d: 30



customcodecrafters

[dual.mono.main/sub/all]	D	Sets the mono mode
[music.enhancer.on/off]	D	Turns the compressed music audio enhancement on or off
[uni-volume.on/off/toggle]	D	Turns the Yamaha volume limiter on or off
[bass.extension.deep/mid/off]	D	Switch bass enhancement between deep bass, moderate or off
[beam.mode.5beam]	D	Set 5 channel surround (beam) mode
[beam.mode.stereo+3beam]	D	Set stereo and 3 channel surround (beam) mode
[beam.mode.3beam]	D	Set 3 channel surround (beam) mode
[beam.mode.stereo]	D	Beam mode off
[beam.mode.last]	D	Restore last beam mode
[beam.channel.7.1/5.1]	D	Switch between 5.1 and 7.1 decode mode
[tuner.fm]	D	Select the FM tuner. Note – this module does not currently support this device
[tuner.sirius]	D	Select the Sirius tuner. Note – this module does not currently support this device

OUTPUT DEFINITIONS

tx\$	S	Commands to device
[power.on/off.fb]	D	Indicates the device power status
[volume.fb]	A	Indicates the device volume as shown on the front of the unit. 0-100d
[volume.bar.fb]	A	Indicates the device volume for display on a touch panel. 0-100%
[volume.sp]	D	This output is asserted whenever the volume is altered and will remain so until the volume subpage hold time has expired
[mute.on/off.fb]	D	Indicates the device mute status
[source.fb]	A	Indicates the current source selected. 1-10d. This output is set to 0d when the device is off
[decoder.mode.fb]	A	Indicates the selected decoder mode. 1-3d. This output is set to 0d when the device is off
[dsp.fb]	A	Indicates the selected DSP. 1-14d. This output is set to 0d when the device is off
[surr.decoder.fb]	A	Indicates the current decoder mode. 1-6d. Note this output may differ from the input depending on the source content and PCM mode. This output is set to 0d when the device is off
[sleep.timer.fb]	A	Indicates the current sleep timer. 0-4d
[dual.mono.main/sub/all.fb]	D	Indicates the mono mode
[music.enhancer.on/off.fb]	D	Indication of music enhancer
[bass.extension.deep/mid/off.fb]	D	Indicates the bass extension mode
[beam.mode.5beam.fb]	D	Asserted when 5 channel surround (beam) mode selected
[beam.mode.stereo+3beam.fb]	D	Asserted when stereo and 3 channel surround (beam) mode selected
[beam.mode.3beam.fb]	D	Asserted when 3 channel surround (beam) mode selected

C3 Custom Code Crafters (Europe) Ltd.
One, The Market Place, Station Road, Thorpe-Le-Soken, Essex, CO16 0HQ.

Telephone: +44 (0) 1255 862850 Fax: +44 (0) 1255 863909 Internet: <http://www.C3-eu.com>



customcodecrafters

[beam.mode.stereo.fb]	D	Indicates that stereo mode is in operation
[beam.mode.1beam.fb]	D	Indicates that mono mode is in operation
[beam.mode.5beam+2.fb]	D	Indicates that 5 + 2 beam mode is in operation
[beam.mode.stereo+3beam+2.fb]	D	Indicates that stereo + 3 + 2 beam mode is in operation
[beam.channel.7.1/5.1.fb]	D	Indicates 7.1/5.1 status
[msg.fb\$]	S	Information from the module. E.g. No comms received
[tuner.fm.fb]	D	FM tuner selected. Note – this module does not currently support this device
[tuner.sirius.fb]	D	Sirius tuner selected. Note – this module does not currently support this device

PARAMETERS

power off value	(d/h)	Set the power off value on the [source] input. Default is 65535d
volume subpage hold time	(s)	Sets the time the [volume.sp] output will be held high once the volume controls are released
hold time	(s)	Time before volume auto repeat starts
repeat time	(s)	Sets the volume repeat time interval
delay after power on	(s)	Interval between power on and source selection (default: 2 seconds)
delay after power off	(s)	Lockout interval after the device has switched off. Device cannot be re-powered until this interval has elapsed (default: 5 seconds)

REVISION NOTES

1.00	GO	Initial release
COMMENTS:		

© 2009 Custom Code Crafters (Europe) Ltd.

Please note:

If this module has not been supplied to you by Custom Code Crafters (Europe) or (North America) then you are using it illegally. Please read the following terms and conditions.

License terms & conditions:

This software & related Source Code is the intellectual property of Custom Code Crafters (Europe) Ltd.

Custom Code Crafters (Europe) Ltd grants authorized Dealers, Partners and end-users the non-exclusive right to use and/or compile and/or compress the Software and upload such compiled and/or compressed Software files to control systems within the bounds of the Software agreement.

No right is granted to otherwise copy, reproduce, modify, upload, download, transmit or distribute the Software & Source code or derivative works in any way.

The Software and Source Code and derivative works are protected by copyright trade secret and other intellectual property laws and by international treaties which provide rights and obligations in addition to the rights and obligations set forth here.

This module may contain manufactures communication protocols. These are the intellectual property of the manufacturer in question and remain their intellectual property. No right is granted to otherwise copy, reproduce, modify, upload, download, transmit, distribute or reverse engineer the protocol information or derivative works in any way.

Help file compiled by: GO
Help file checked by:
Created: 02/03/11
Modified: 01/08/11 (GO)
Released: 04/08/11

C3 Custom Code Crafters (Europe) Ltd.
One, The Market Place, Station Road, Thorpe-Le-Soken, Essex, CO16 0HQ.

Telephone: +44 (0) 1255 862850 Fax: +44 (0) 1255 863909 Internet: <http://www.C3-eu.com>